



Alumil
Building excellence every day

Alumil  **SMARTIA**
ZIP Screen



CONTENTS

SMARTIA ZIP SCREEN

OVERVIEW	4
BENEFITS	6
TECHNICAL CHARACTERISTICS	8
INSTALLATION & CERTIFICATION	10
SHADING FABRICS	12
APPLICATIONS	14



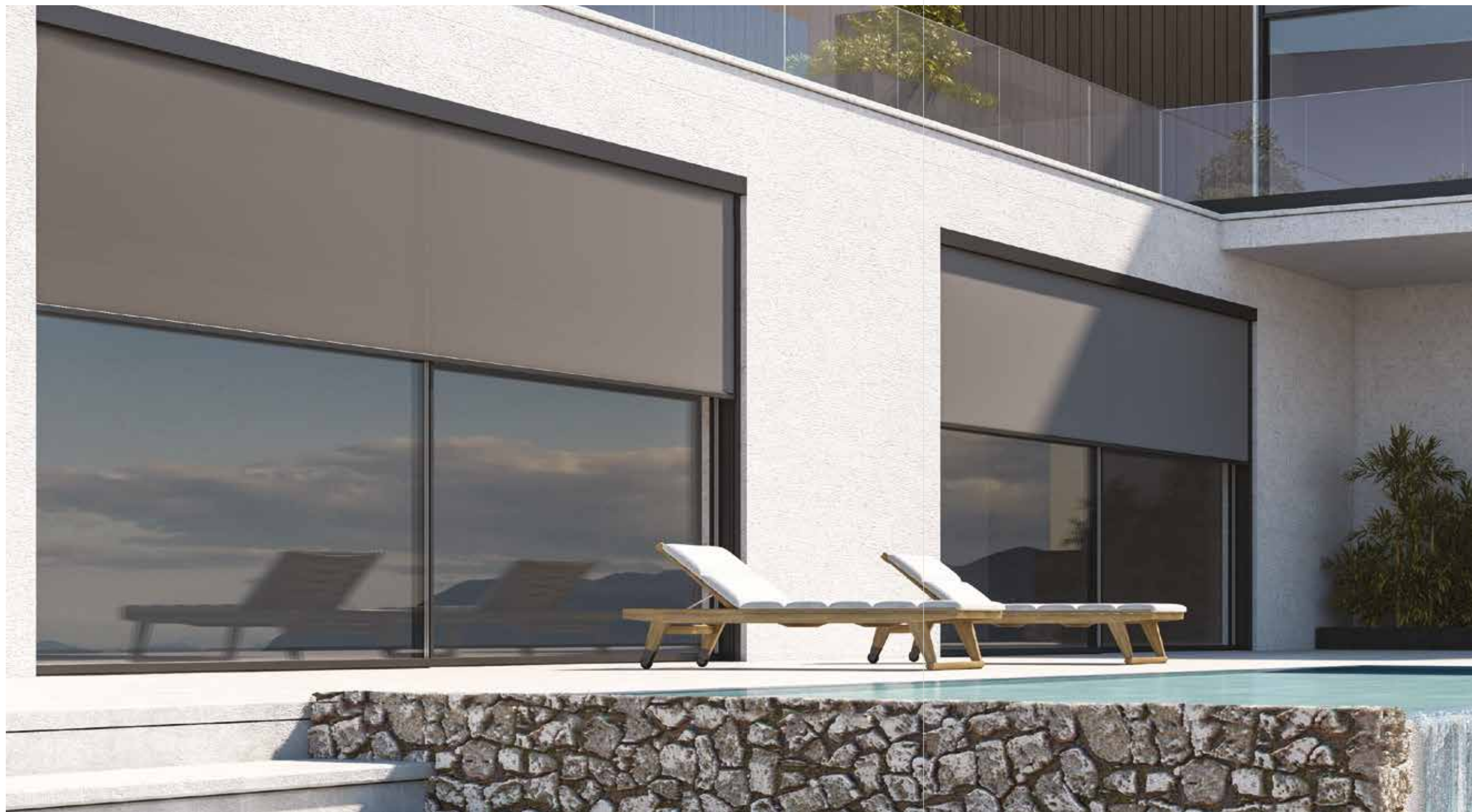
SMARTIA ZIP SCREEN

Electric fabric roller featuring cutting-edge ZIP technology, designed to provide efficient shading with a touch of elegance.

Seamless Blend of
Style and Functionality

Unveil Shading Elegance

ALUMIL ZIP Screen is a **versatile** and **innovative** shading solution, designed to offer **precise control over natural light**, optimal **thermal comfort**, and enhanced building aesthetics.



With its **sleek and modern design**, the screen harmonises with any architectural setting, delivering both **elegance** and **functionality**. Meticulously manufactured using state-of-the-art components and **premium materials**, our screens are built to last, ensuring durability and longevity.

Shading spaces with **exquisite design** and unmatched comfort



- **Excellent solar protection**
State-of-the-art fabrics that effectively shade and block harmful UV rays.

- **Enhanced thermal comfort**
It reduces heat gain while allowing visual transparency and breathability.

- **Energy efficiency**
It minimises solar heat gain, reducing reliance on artificial cooling for energy savings.

- **High aesthetics**
It brings a touch of elegance and style to any setting, elevating the overall aesthetic appeal.

- **Customisable design**
Wide range of colours, textures and finishes to seamlessly integrate with any window and facade.

- **Top quality and reliability**
Crafted with meticulous attention to detail, ensuring exceptional durability and long-lasting performance.

- **Privacy and blackout**
It provides precise control over light transmission for desired privacy levels and darkening of internal space.

- **Smart Home integration**
It can be connected with various smart apps and enable automated control for personalised shading and lighting settings.

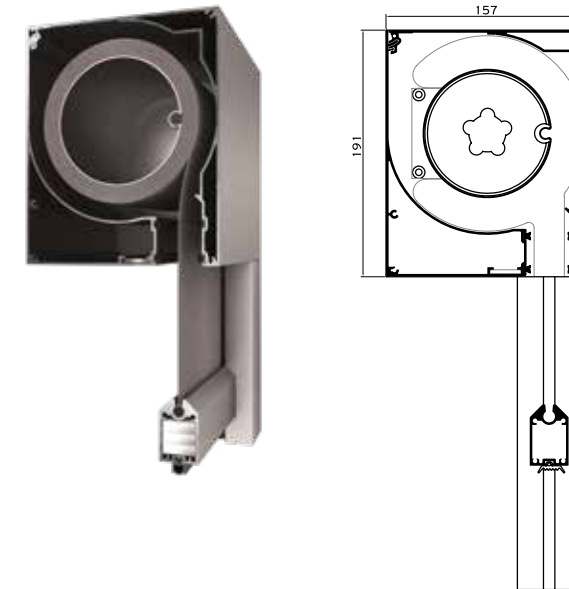


BOX	REEL	WIDTH	x	HEIGHT
Z160	Ø100	7 m	x	2.6 m
	Ø100	4 m	x	5.5 m
Z120	Ø78	5.5 m	x	2.75 m
	Ø78	5 m	x	3.4 m
Z100	Ø63	3.3 m	x	2.6 m
Z70	Ø43	2.4 m	x	1.5 m

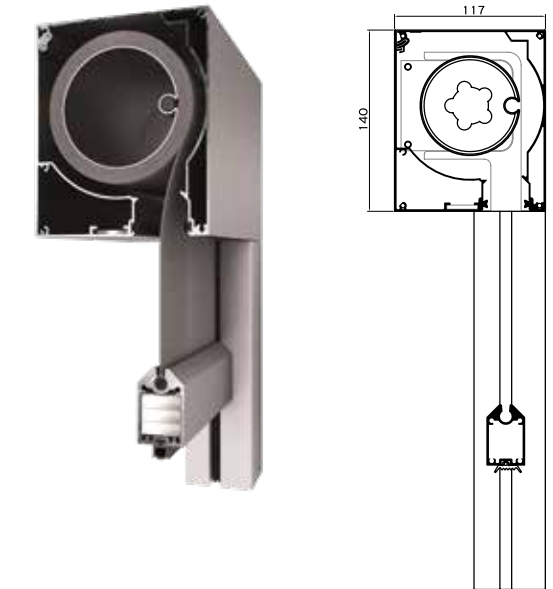
TECHNICAL

CHARACTERISTICS

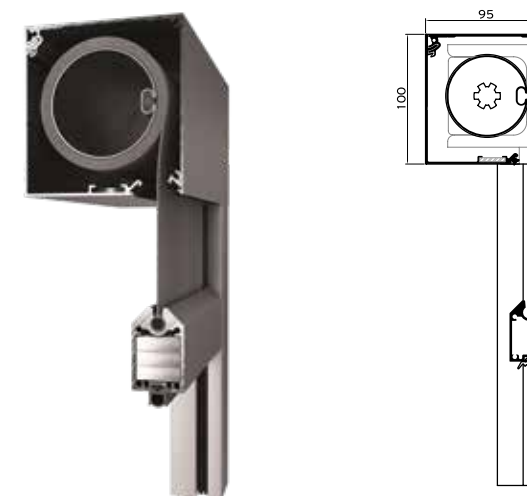
Z160



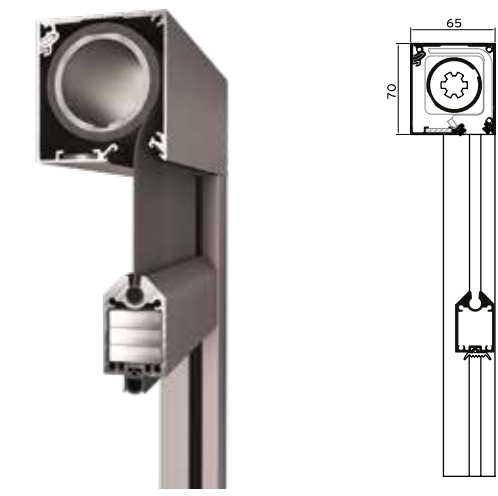
Z120



Z100



Z70





INSTALLATION & CERTIFICATION



Above window system



Adjacent to window system

CERTIFICATION



WIND LOAD RESISTANCE
MAX TEST PRESSURE
EN 12210

CLASSIFICATION

1	2	3	4	5
---	---	---	---	---

For dimensions (W x H) 5,7 m x 2,7 m

The **shading fabrics** utilized in our ZIP Screens offer exceptional features and advantages,

guaranteeing optimal performance and customer contentment. They are meticulously chosen to cater to the diverse requirements of shading systems, providing **a perfect equilibrium between functionality and aesthetics.**



Their superior specifications include:

- High UV resistance.
- Mechanical durability and dimensional stability.
- Blocking of up to 97% of heat.
- Up to 28% natural light transmission.
- Tested and classified for fire resistance.
- Safe for use (e.g. REACH compliant).
- High colour resistance over time.
- Wide range of colours and textures.
- Smooth finish and easy clean



BALCONY SHADING



OUTDOOR SHADING



PERGOLA SHADING



The use of **ZIP Screen**
extends beyond windows

to include their application for shading **balconies,**
pergolas, and **other structures.**

www.alumil.com

DISCOVER MORE:



**ALUMIL
HEAD OFFICES
& SHOWROOM - THESSALONIKI**

GOGOUSI 8, EFKARPIA
THESSALONIKI - GR 56429
TEL.: +30 2313011000
E-MAIL: info@alumil.com

**ALUMIL
HEADQUARTERS**

KILKIS INDUSTRIAL AREA
KILKIS - GR 61100
TEL.: +30 23410 79300
E-MAIL: info@alumil.com



**ALUMIL
HEAD OFFICES
& SHOWROOM - THESSALONIKI**

GOGOUSI 8, EFKARPIA
THESSALONIKI - GR 56429
TEL.: +30 2313 011000
EMAIL: info@alumil.com

**ALUMIL
HEADQUARTERS**

KILKIS INDUSTRIAL AREA
KILKIS - GR 61100
TEL.: +30 23410 79300
E-MAIL.: info@alumil.com

www.alumil.com

EN OCT 2023

alumil